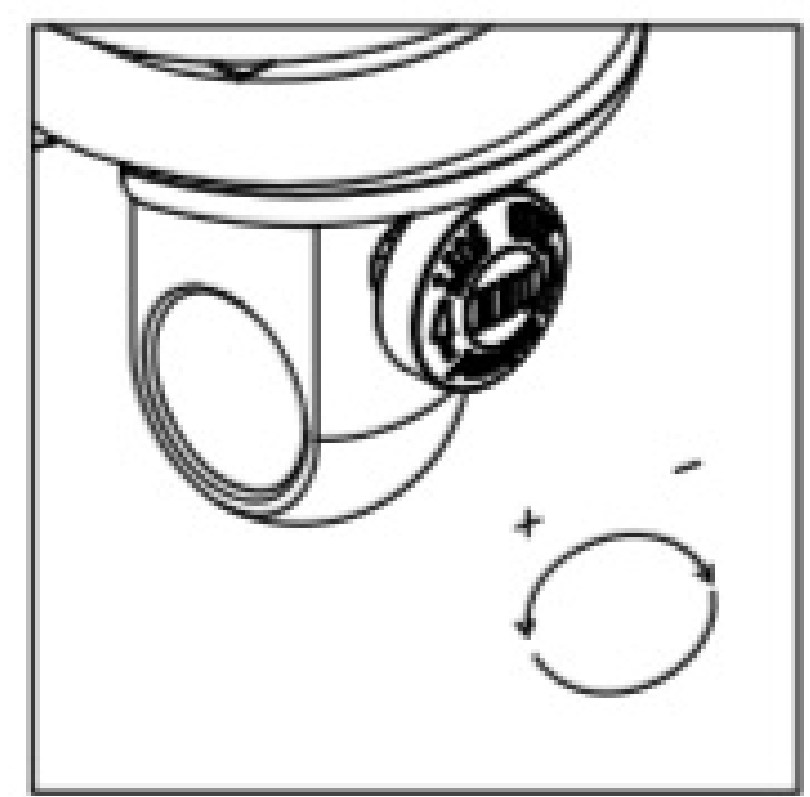
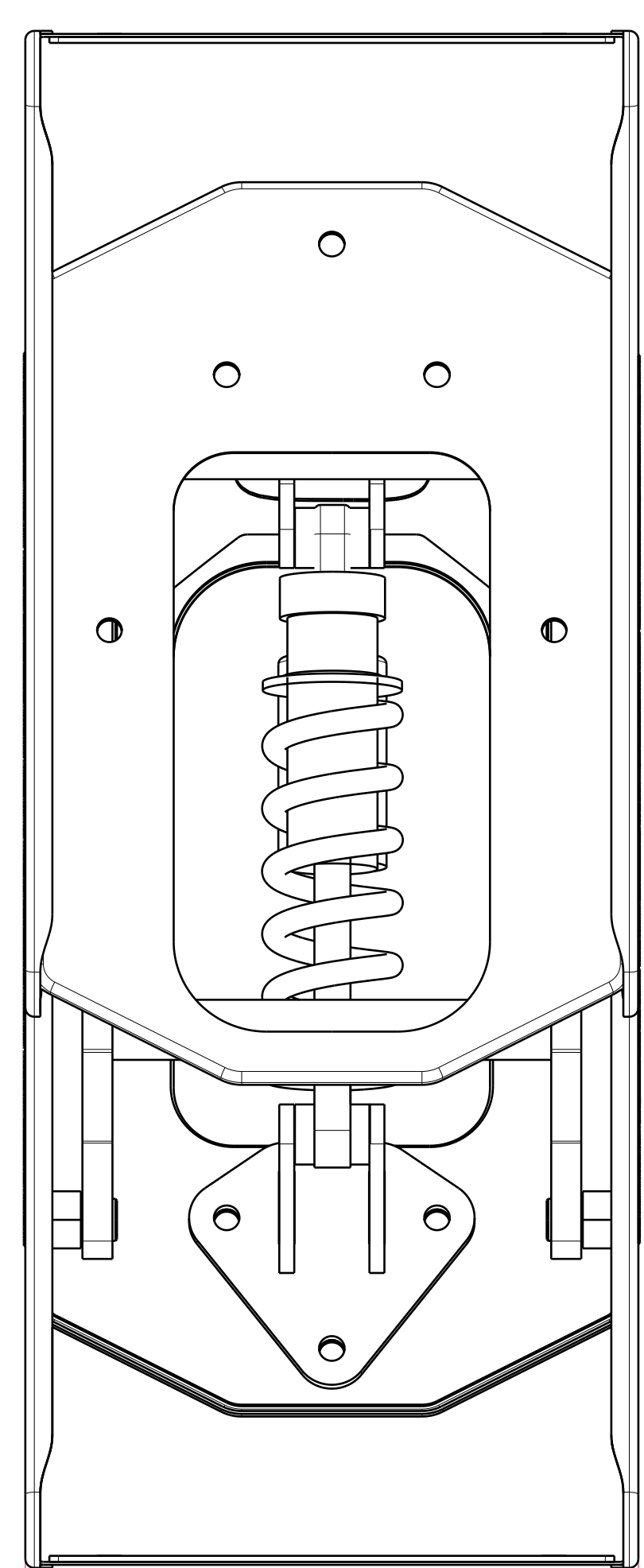
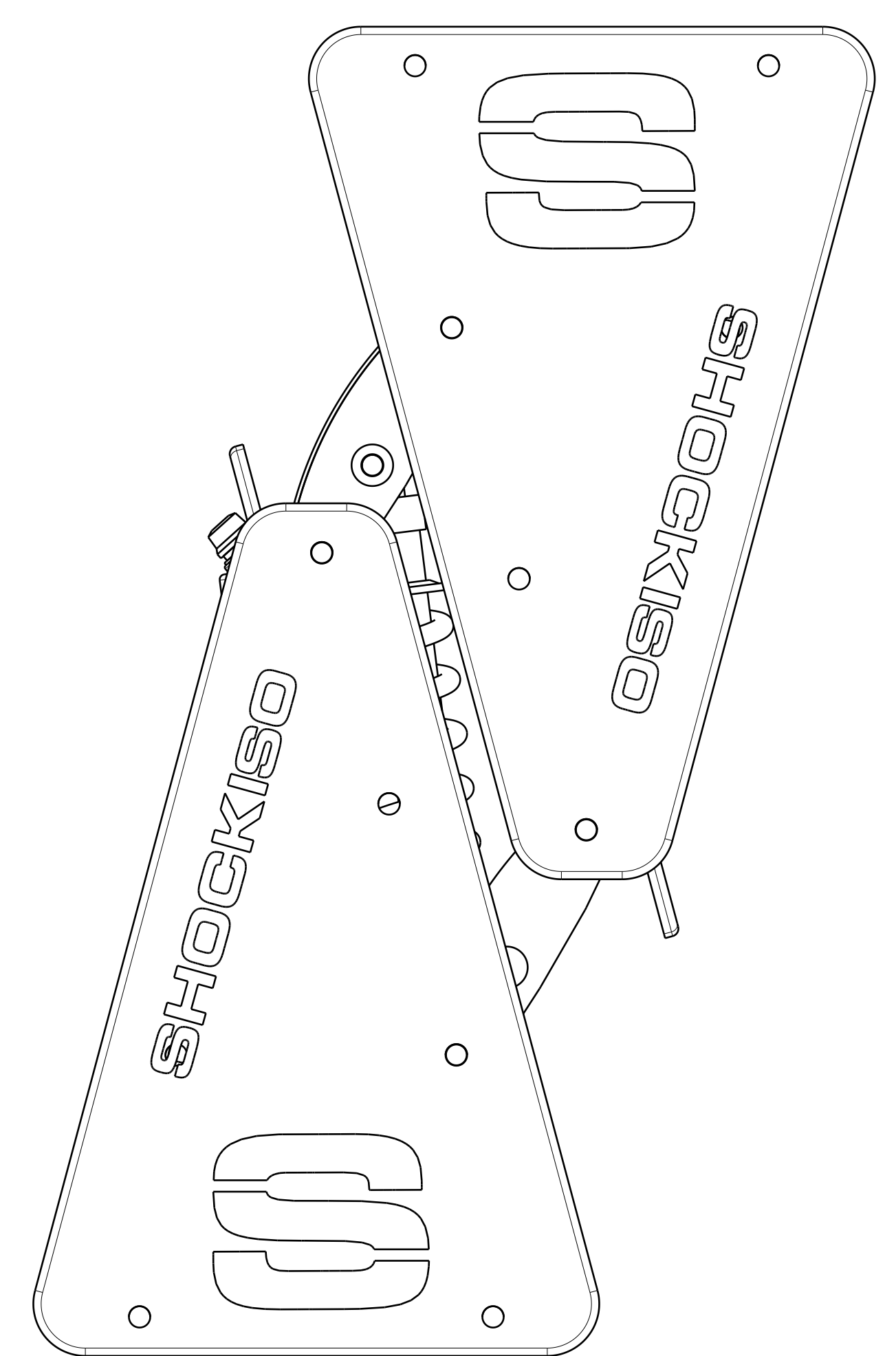
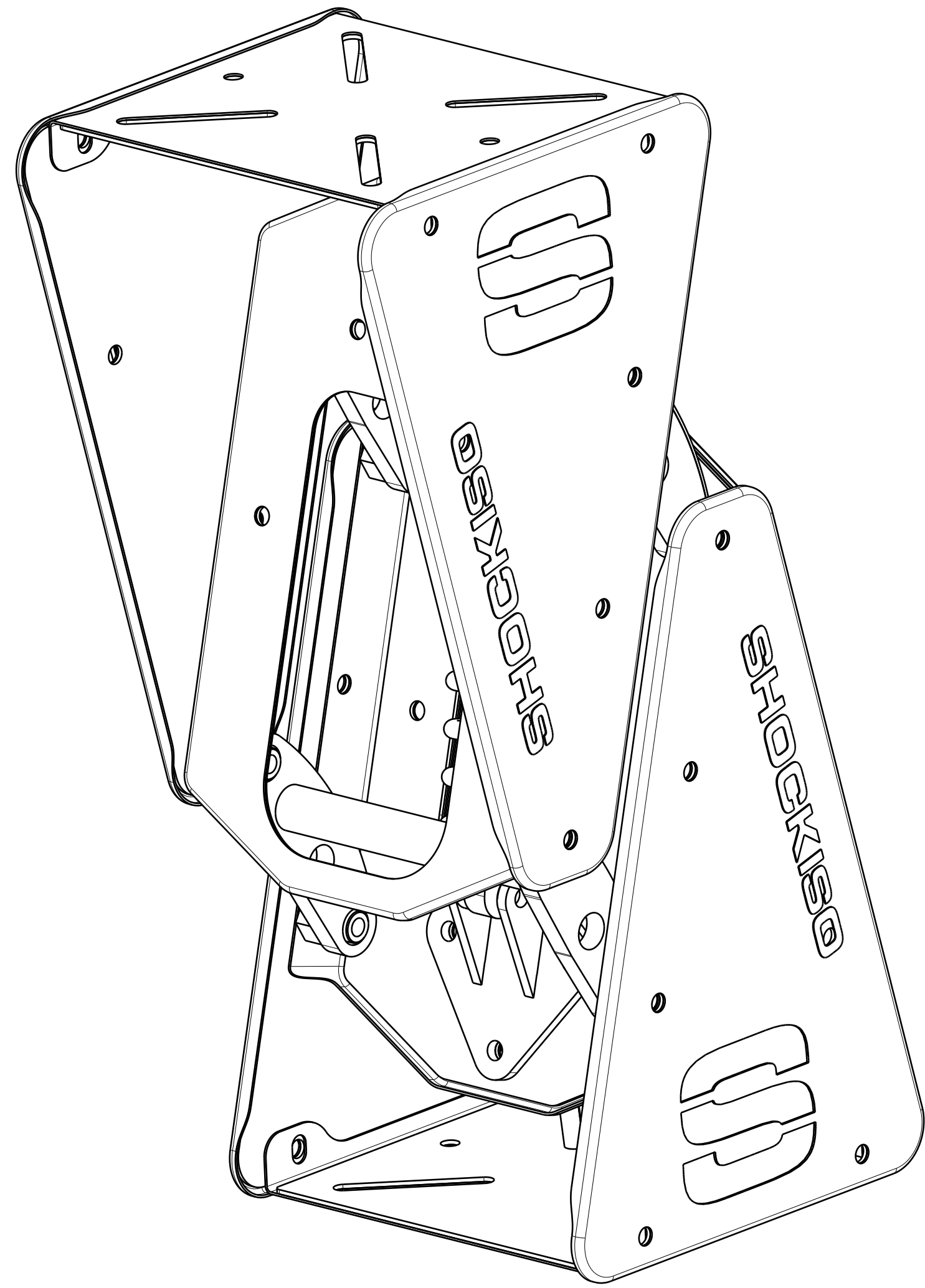
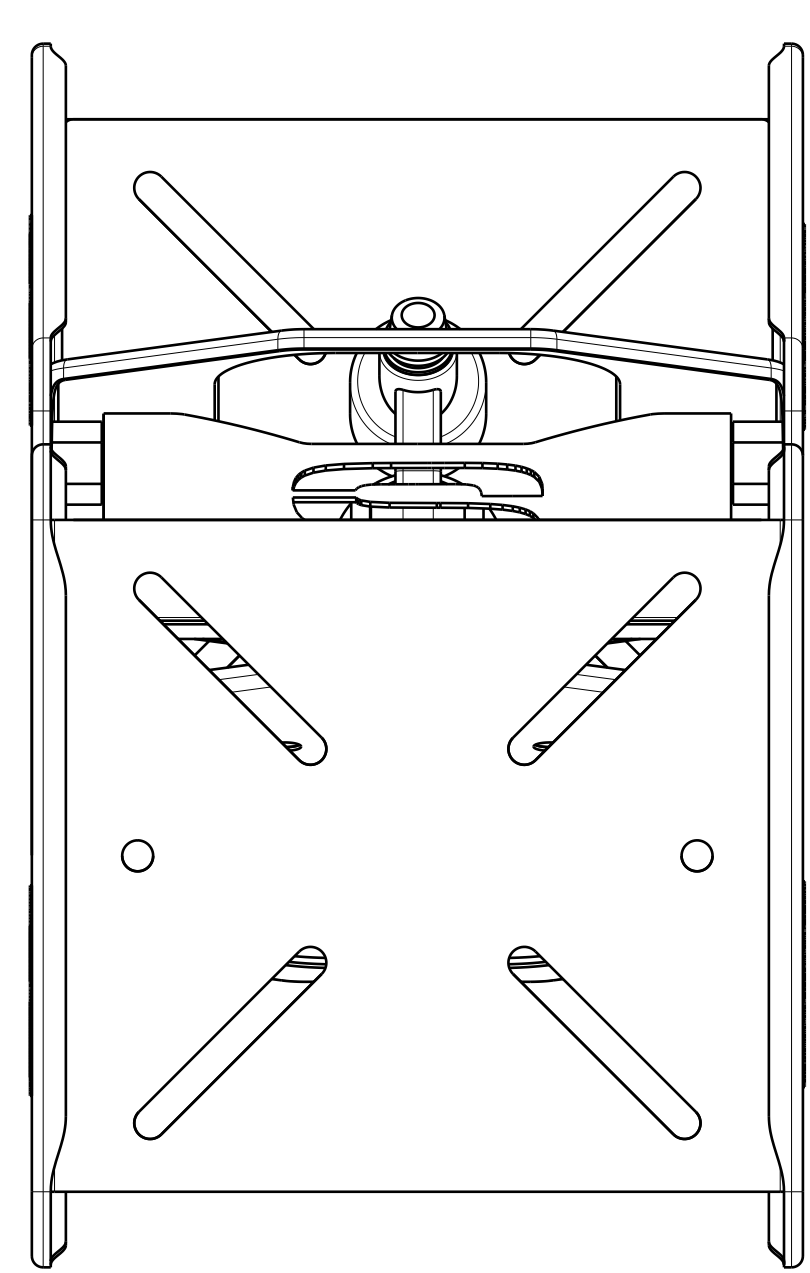


**Compression adjustment**  
 + direction rotation, pressure increase  
 - direction rotation, pressure decrease

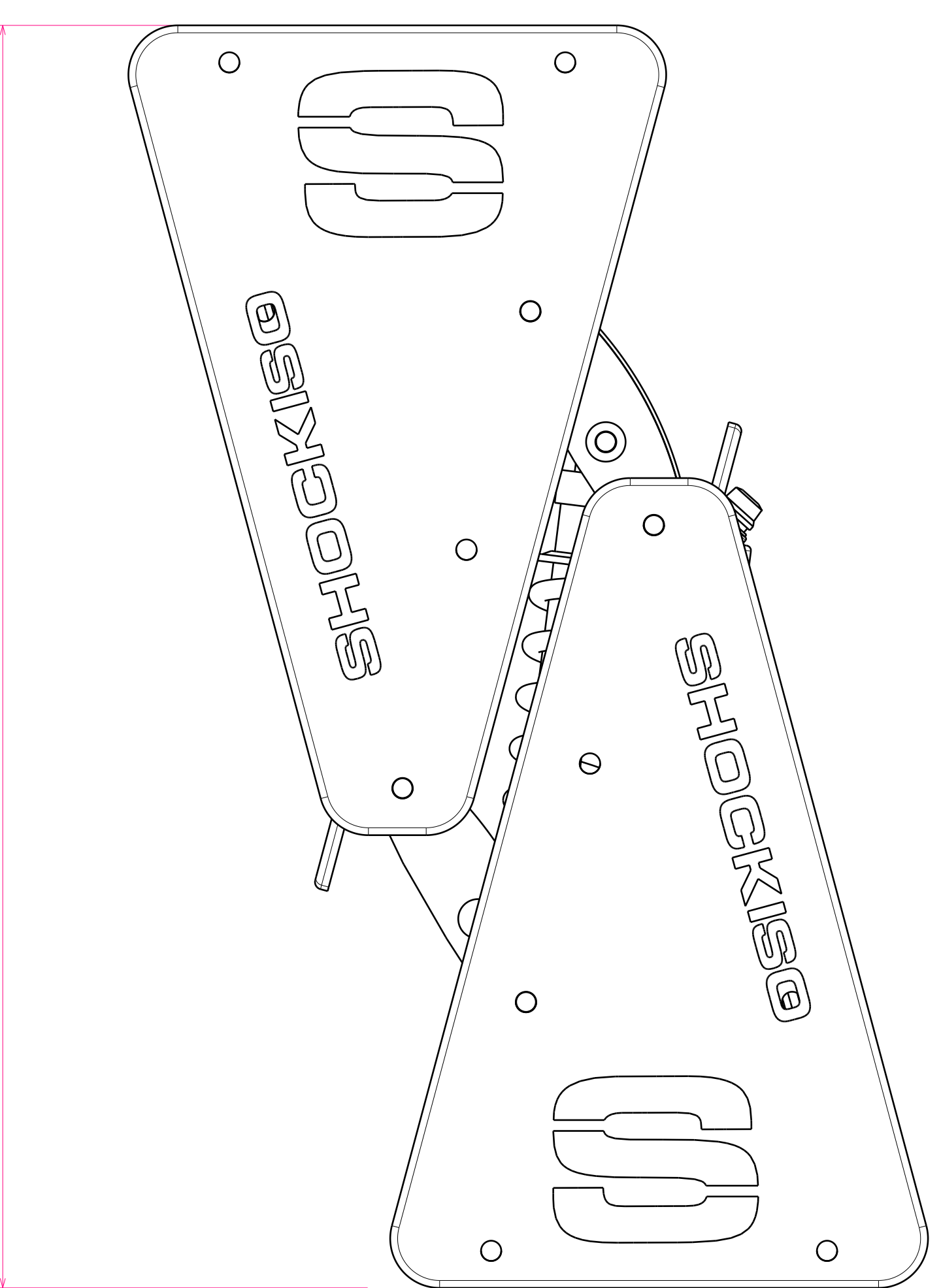
**Rebound adjustment**  
 + direction rotation, damper increase (slow)  
 - direction rotation, damper decrease (fast)



specification	
A Total Length	B Route
190±2	51±2
200±2	56±2
210±2	61±2
220±2	66±2
240±2	76±2
265±2	85±2



511



210515	INITIAL DRG RELEASE	SIS
DATE	CHANGE No.	MODIFICATION
FIELD DRAWN		APP
<b>SHOCKISO</b>		
TITLE: PEDISTAL		
DESCRIPTION: GA		
PART NUMBER: SI-RS6-JLO		THIRD ANGLE PROJECTION
DATE: 21/05/15	ISSUE: 01	SCALE: 1 : 1
DRAWN BY: SHOCKISO		